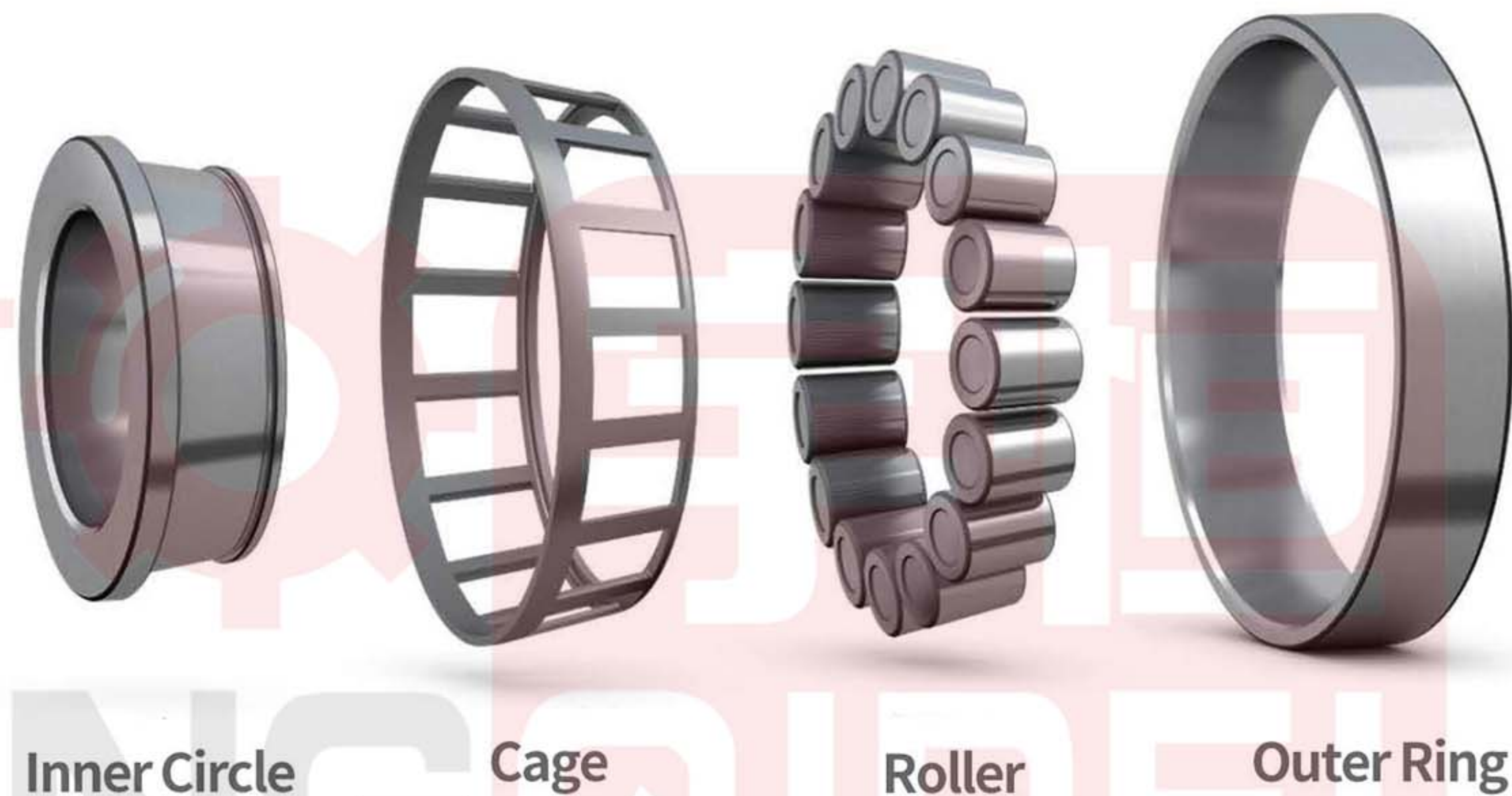
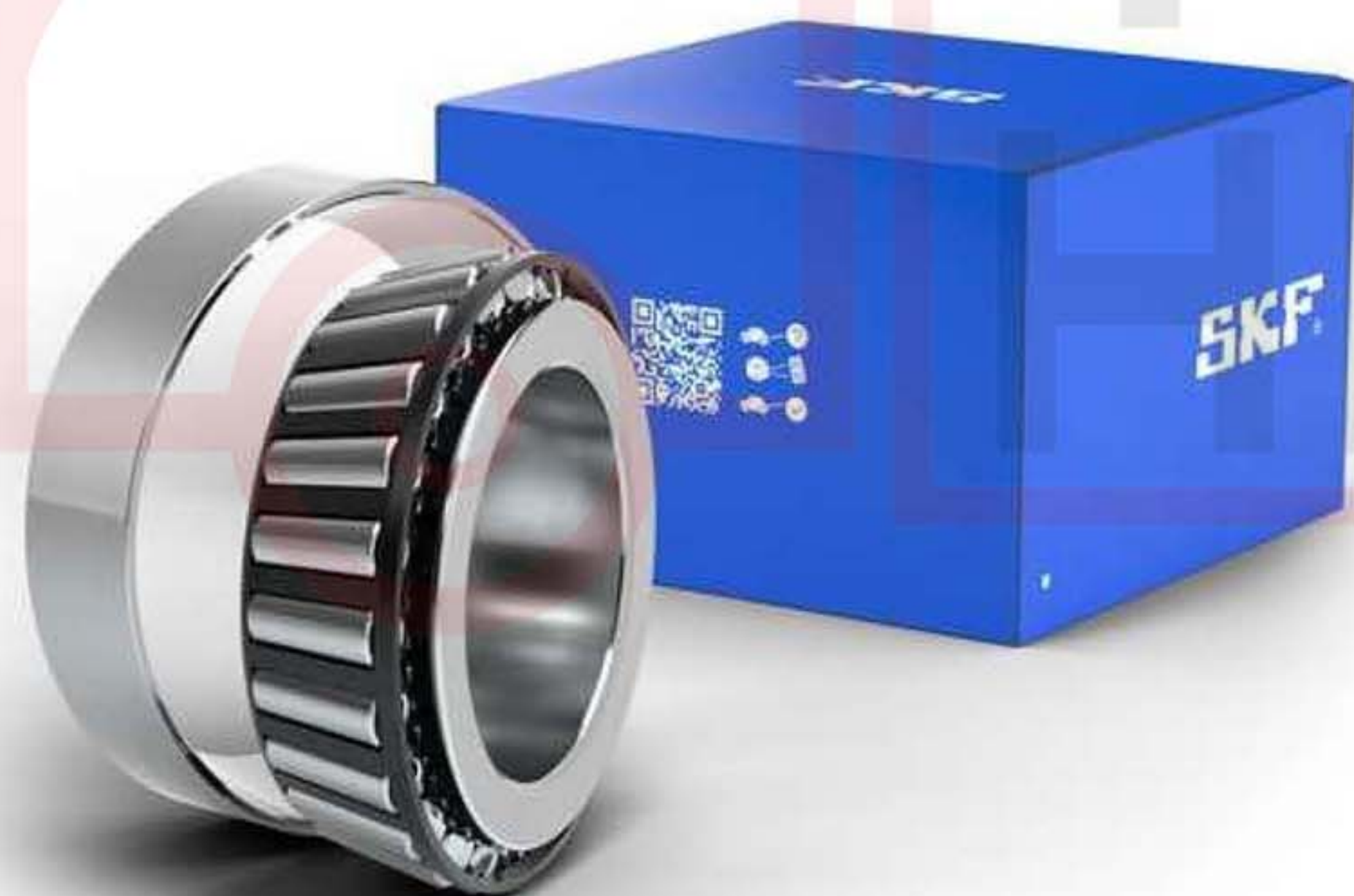


TAPERED ROLLER BEARING STRUCTURE

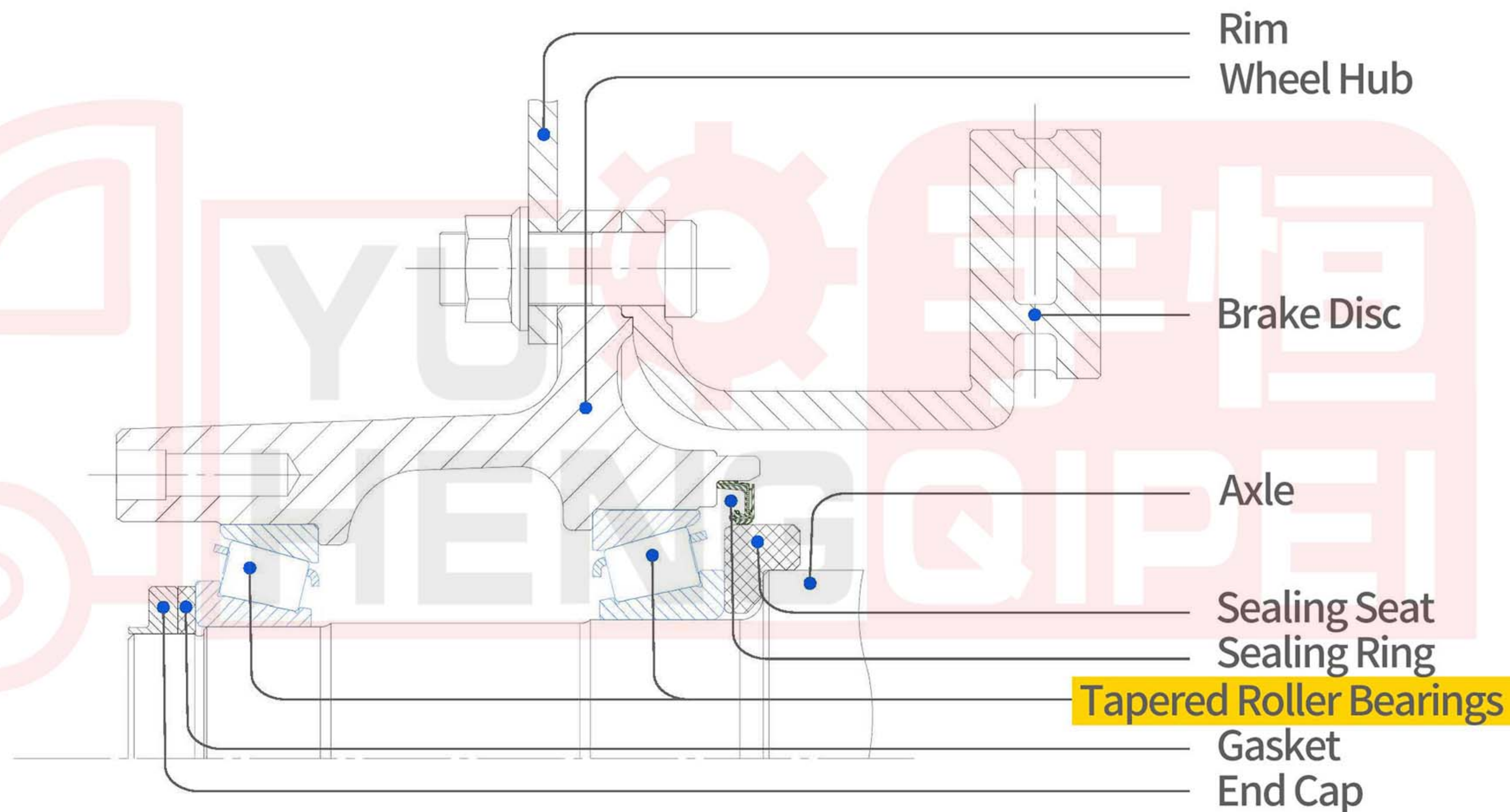
Rich original supporting equipment

Wide range of truck and trailer axle applications

1:1 replacement with same specifications



Single row TRB wheel end structure



Inner ring mounting chamfer design (A/VA/VB)

Even if they are the same size specifications, different chamfer designs are still not interchangeable! For example, the size is 90x147x40 and the specification is HM218248/210

The chamfer is different and cannot be used

Correct Model

BT1B 639416 A/Q
(VKHB 2279)

